

▼ Shown: PRASA10027L and accessory Locking U-Rings



Safe, Efficient, Mobile Load Lifting

- 54, 90, 136 and 181 ton capacities with pneumatic or electric pumps for the toughest jobs
- 102 mm ground clearance for transport over rail and rough terrain
- Double-acting cylinder
- Three position handle provides easy tilt back and transport
- Complies with ASME/ANSI B30.1/CE specifications
- Easy to change external filter minimizes down time
- Rugged, fully enclosed 610 mm wide frame with no exposed fittings or hoses
- SUP-R-STACK™ Extension System allows lifting at all heights without blocking.




Pendant cord

Standard 3,6 m pendant cord for air driven units with pneumatic valves and 6,1 m pendant cord for electric driven units keeps operator away from the load.



◀ Enerpac Pow'r-Riser® used in mining operations to lift heavy equipment.

Capacity	Stroke	Model Number with Electric Pump	
ton (kN)	(mm)	(230V - 1 ph - 50Hz)	(kg)
54 (533)	356	PREME06014L	177
	686	PREME06027L	272
90 (889)	406	PREME10016L	231
	686	PREME10027L	272
	406	-	-
	686	-	-
136 (1333)	394	-	-
	673	-	-
	394	PREME15016L	258
	673	PREME15027L	321
181 (1778)	394	-	-
	673	-	-

POW'R-RISER® Lifting Jack



SUP-R-STACK™ Extensions

Increase useful height from 127 to 457 mm.

Model No.	Size (mm)	Model No.	Size (mm)
PRE5	127	PRE11	279
PRE7	178	PRE14	356
PRE9	229	PRE18	457
PRES6024	Extension set includes PRE5, PRE7, PRE11 and PRE18.		



Spacers

Fine tune your extension stack height.

Model No.	Size (mm)	Model No.	Size (mm)
PRS1	25	PRS3	76
PRS2	51	-	-
PRS4	Set includes (2x) PRS1, (1x) PRS2 and (1x) PRS3.		

PR Series



Rated Lifting Capacity:

54 - 181 ton

Stroke:

356 - 686 mm

Maximum Operating Pressure:

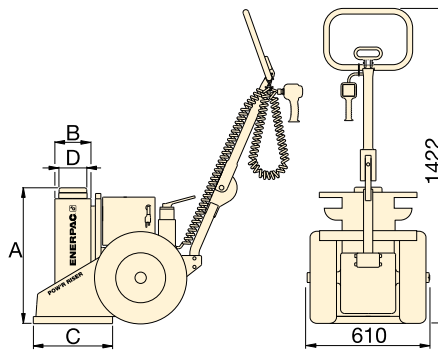
700 bar

Cap. (kN)	Swivel Load Saddle	Locking U-Rings					Set Model Number	Locking U-Ring Sets Include:								
		25 mm	76 mm	114 mm	140 mm	254 mm		Quantity & model numbers								
							2x	1x	2x	1x						
533	PRTS60	PRU11	PRU13	PRU14	-	PRU110	¹ PRUS126	PRU11	PRU13	PRU14	-	² PRUS137	PRU11	PRU13	PRU14	PRU110
889	PRTS60	PRU11	PRU13	PRU14	-	PRU110	¹ PRUS126	PRU11	PRU13	PRU14	-	² PRUS137	PRU11	PRU13	PRU14	PRU110
1333	PRTS150	PRU151	PRU153	-	PRU155	PRU1510	³ PRUS1526	PRU151	PRU153	PRU155	-	² PRUS1537	PRU151	PRU1510	PRU155	-
1778	PRTS200	PRU201	PRU203	-	PRU205	PRU2010	³ PRUS2026	PRU201	PRU203	PRU205	-	² PRUS2037	PRU201	PRU2010	PRU205	-

¹ For 356 mm and 406 mm stroke models

² For 686 mm stroke models

³ For 394 mm stroke models.



WARNING!

Extensions: Any two extensions may be stacked for loads up to 54 ton. For loads over 54 ton or strokes over 356 mm only one extension and one spacer can be used.

Spacers: Never exceed 76 mm in total spacer height.

Model Number with Air Pump	(kg)	A (mm)	B (mm)	C (mm)	D (mm)	Max. Additional Stack Height Using Optional Extension (mm)	Valve Type
PRAMA06014L	177	610	162	356	102	813*	Manual
PRAMA06027L	272	940	162	356	102	279	
PRAMA10016L	231	660	178	457	102	533**	
PRAMA10027L	272	940	178	457	102	279	
PRASA10016L	231	660	178	457	102	533**	Pneumatic
PRASA10027L	272	940	178	457	102	279	
PRASA15016L	258	660	203	457	127	533**	Manual
PRASA15027L	321	940	203	457	127	279	
-	-	660	203	457	127	533**	
-	-	940	203	457	127	279	
PRASA20016L	290	660	241	457	152	533**	Pneumatic
PRASA20027L	374	940	241	457	152	279	

* Based on one 457 mm and one 279 mm extension and one 76 mm spacer.

** Based on one 457 mm extension and one 76 mm spacer.

For power source, the following characters should be inserted in the 5th space of the model number.

Ordering Example:

Model No. PREME06014L is a 356 mm stroke, 54 ton model, with a manual valve and a 230 VAC, 1-ph., 50 Hz electric motor.

- A Air Pump, 1416 l/min air consumption at 5,5 bar
- B 115 VAC, 1-ph., 50-60 Hz, 20 A
- E 208-240 VAC, 1-ph., 50-60 Hz, Euro Plug, 10 A
- I 208-240 VAC, 1-ph., 50-60 Hz, USA Plug, 10 A
- G ¹ 208-240 VAC, 3-ph., 50-60 Hz
- W ¹ 380-415 VAC, 3-ph., 50-60 Hz
- J ¹ 440-480 VAC, 3-ph., 50-60 Hz
- R ¹ 575 VAC, 3-ph., 50-60 Hz.

¹ Not available for 54 ton capacity.