

Digital, Hydraulic Pressure Gauges

▼ Gauge shown: **DGR-2**



- Rated for system pressure up to 1380 bar
- Displays in multiple units: psi, bar, mPA, kg/cm² (user selectable)
- Zero reset – ensures that gauge reads actual system pressure
- Batteries included, condition indicator on readout
- IP65 rated case design
- Shut off selectable – menu driven
- UL listed, CE and RoHS compliant.

DGR Series

Pressure Range:

0 - 1380 bar

Voltage:

3 VDC (battery)

Accuracy, % of full scale:

± 0,25%



Back-lit Readout

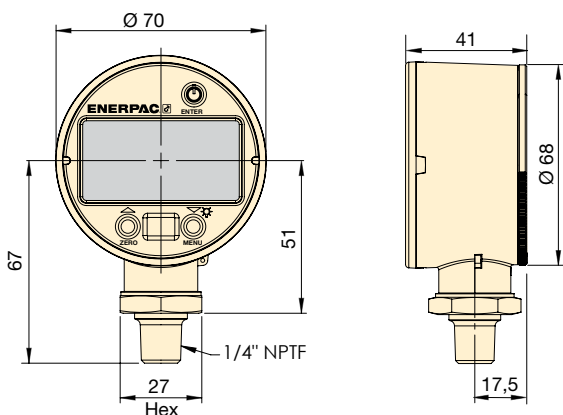
Back-lit readout allows easy reading in less than ideal lighting.



Gauge Adaptor

For easy gauge installation into almost any system, Enerpac offers a complete line of gauge adaptors.

Page: 126



▼ Greater accuracy and easier to read: enhance your ability to monitor and control hydraulic system pressure up to 1380 bar.



Pressure Rating (bar)		Model Number	Pressure Rating (psi)		Pressure Rating (MPa)		Pressure Rating (Kg/cm ²)		Weight (kg)
Range	Interval		Range	Interval	Range	Interval	Range	Interval	
0 - 1380	0,7	DGR-2	0-20.000	1	0-140	0,01	0-1400	0,07	0,23