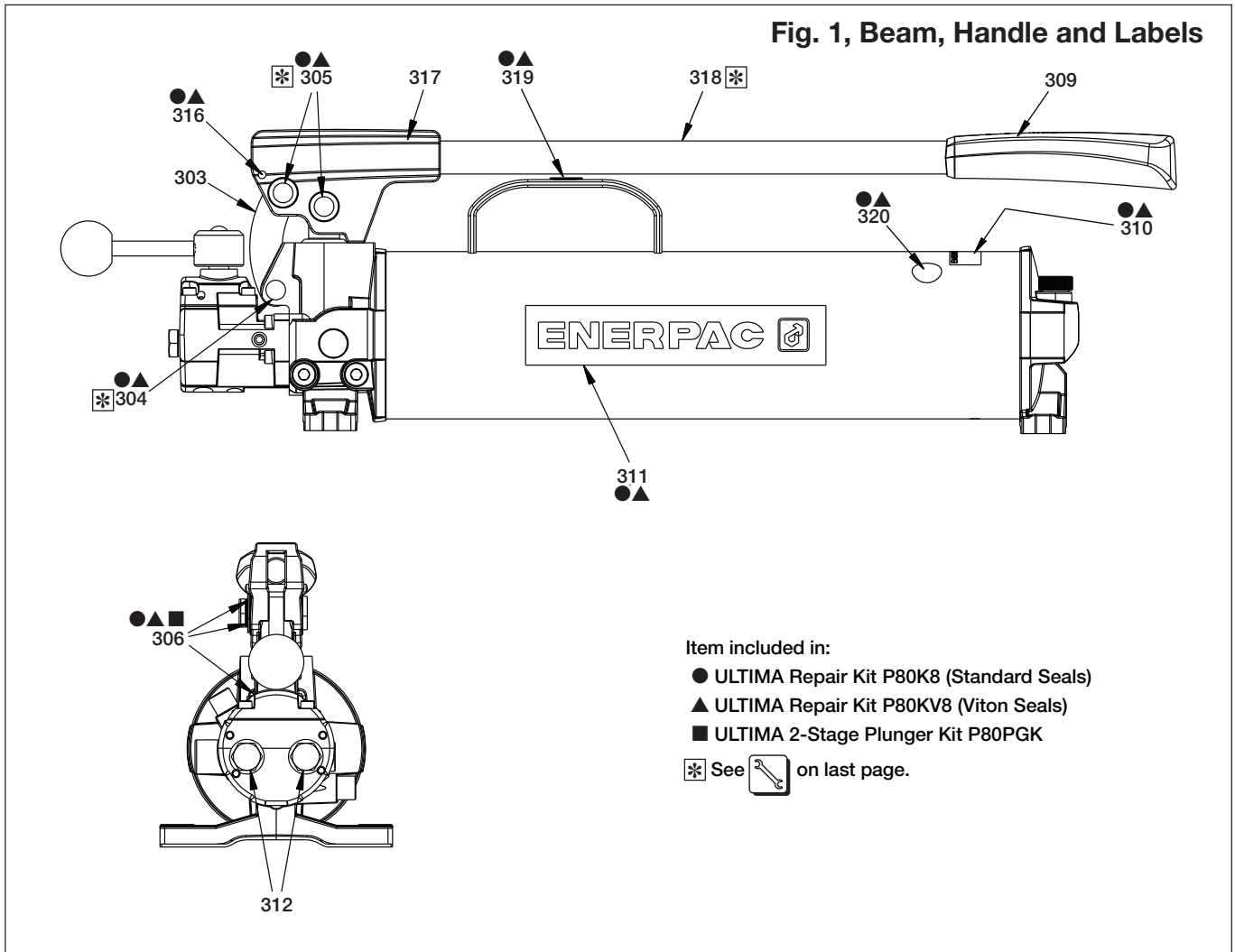


Repair Parts Sheet	Revision	Revision Date	Product Code Beginning
L3074	E	02/2014	J



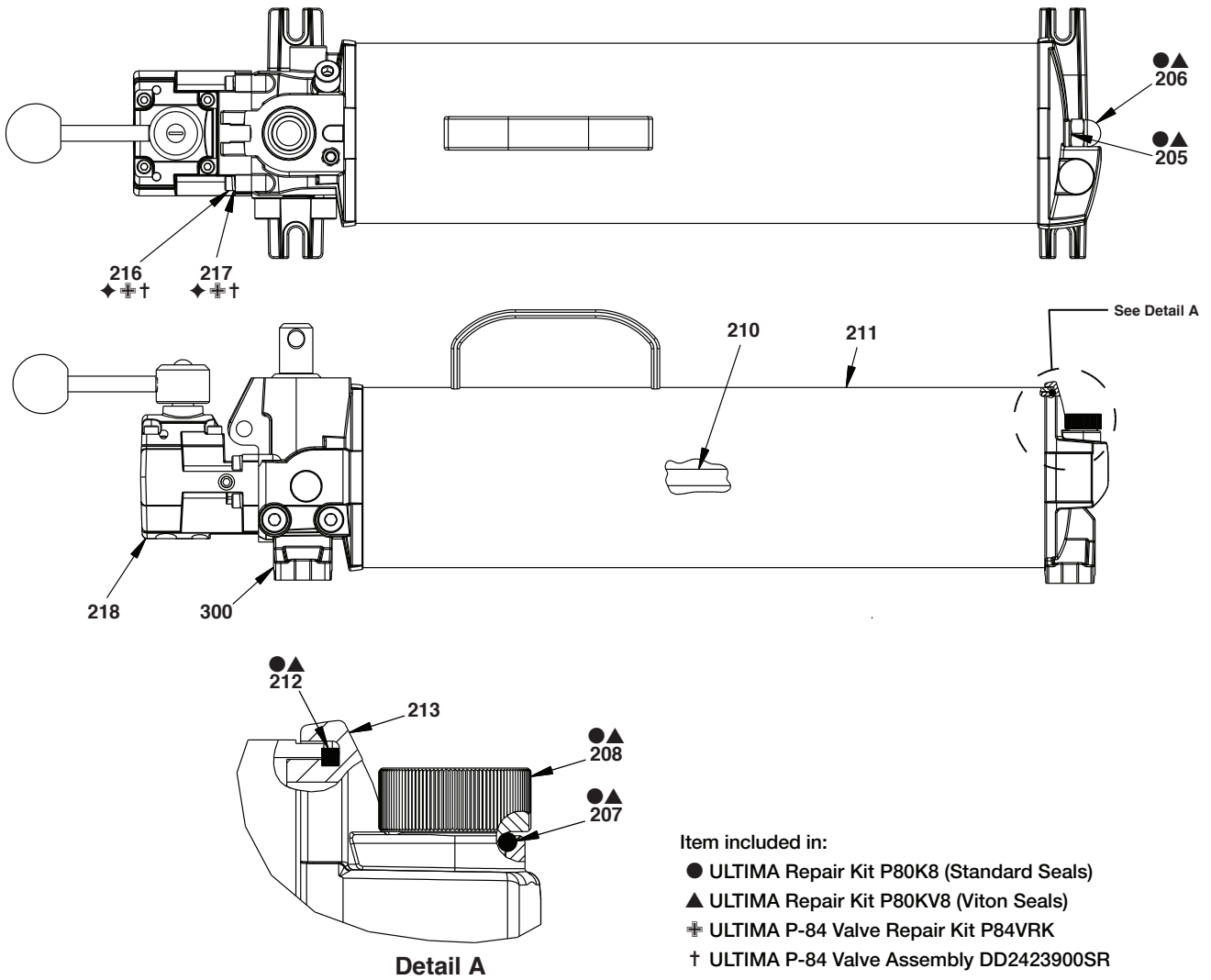
**Repair Parts List, Fig. 1**

**L3074**

Item	Part Number	Qty.	Description	Item	Part Number	Qty.	Description
303	DD1634062	1	Linkage	312	R515245-2	2	Plug, Shipping
304	●▲DD1649061	1	Pin	316	●▲CCA0529057-1A	1	Spring Pin, M5, 30 mm
305	●▲DD1650061	2	Pin	317	DD1642900	1	Beam Subassembly (includes item 316)
306	●▲■CB415044	3	Retaining Ring	318	DD2539070	1	Tubing, Handle
309	DX4160550	1	Grip, Handle	319	●▲ DD2589226	1	Decal, Warning
310	●▲DD2537026	1	Decal, Product Spec	320	●▲ DC7887026	1	Decal, Read Instruction
311	●▲DD3045026	2	Decal, Enerpac				

**IMPORTANT:** Shaded items are available only in kits (not sold separately).

Fig. 2, Pump Reservoir



Item included in:

- ULTIMA Repair Kit P80K8 (Standard Seals)
- ▲ ULTIMA Repair Kit P80KV8 (Viton Seals)
- ⊕ ULTIMA P-84 Valve Repair Kit P84VRK
- † ULTIMA P-84 Valve Assembly DD2423900SR
- ◆ ULTIMA P-84 Valve Repair Kit P84VRKV (Viton Seals)

\* See  on last page.

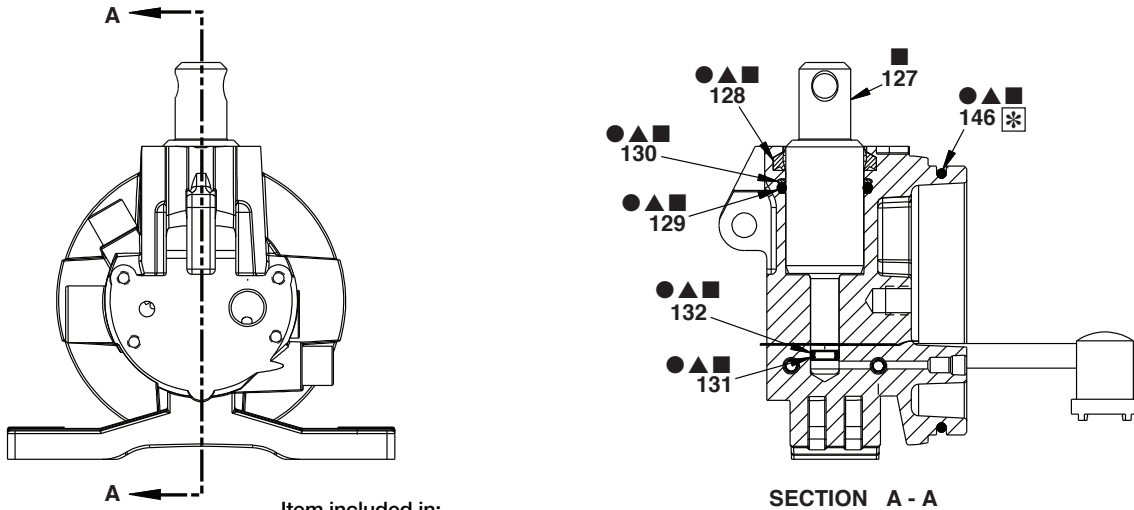
Repair Parts List, Fig. 2

L3074

Item	Part Number	Qty.	Description	Item	Part Number	Qty.	Description
205	●▲CB813167	1	Copper Gasket	213	DD3077020	1	End Cap
206	●▲CL341055	1	Acorn Nut, 0.438-14	216	◆⊕† CCA521028-1A	4	SHCS, M5 x 20mm
207	●B1010503	1	O-Ring, Size -112 (Std.)	217	◆⊕† CCE1005108-5C	4	Lockwasher, M5
	▲B1112203	1	O-Ring, Size -112 (Viton)	218	DD2423900SR	1	Directional Control Valve (see Figs. 8-10)
208	●▲DD3063009	1	Plug, Oil Fill	300	(See Figs. 3 through 7)	1	Pump Head (Not sold as subassembly)
210	CL127149	1	Tie Rod				
211	DD1644025	1	Reservoir				
212	●B1155517	1	Sq. Ring, Size -155 (Std.)				
	▲B1155518	1	Sq. Ring, Size -155 (Viton)				

IMPORTANT: Shaded items are available only in kits (not sold separately).

**Fig. 3, Plunger Assembly**



Item included in:

- ULTIMA Repair Kit P80K8 (Standard Seals)
- ▲ ULTIMA Repair Kit P80KV8 (Viton Seals)
- ULTIMA 2-Stage Plunger Kit P80PGK

✱ See  on last page.

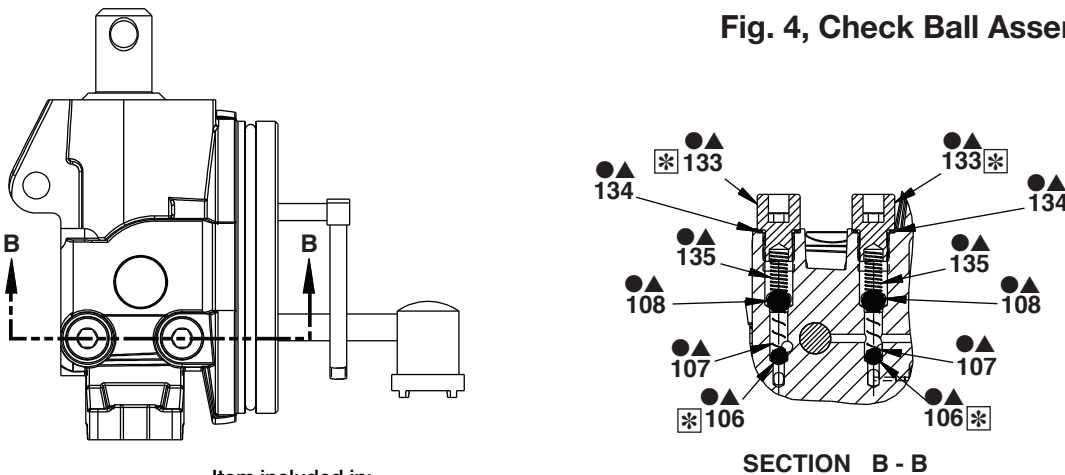
**Repair Parts List, Fig. 3**

**L3074**

Item	Part Number	Qty.	Description	Item	Part Number	Qty.	Description
127	■ DD1609051	1	Plunger, P80/P801	131	●■ B1011803	1	O-Ring, Size -011 (Std.)
128	●▲■ DX4162044	1	Wiper		▲ B1011203	1	O-Ring, Size -011 (Viton)
129	●■ B1022503	1	O-Ring, Size -217 (Std.)	132	●▲■ B1011564	1	Back-up Ring Size -011
	▲ B1217203	1	O-Ring, Size -217 (Viton)	146	●▲■ 1277503	1	O-Ring, Size -240
130	●▲■ B1217565	1	Back-Up Ring, Size -217				

**IMPORTANT:** Shaded items are available only in kits (not sold separately).

**Fig. 4, Check Ball Assemblies**



Item included in:

- ULTIMA Repair Kit P80K8 (Standard Seals)
- ▲ ULTIMA Repair Kit P80KV8 (Viton Seals)

✱ See  on last page.

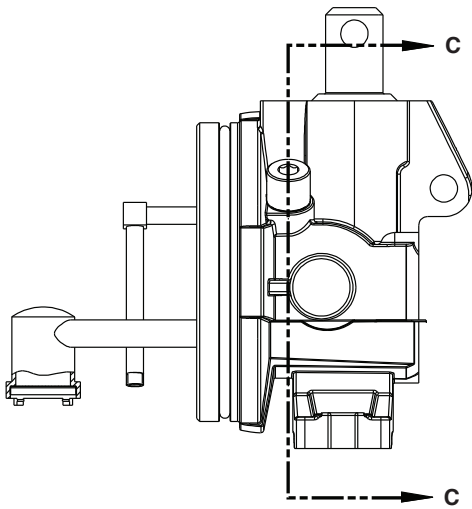
**Repair Parts List, Fig. 4**

**L3074**

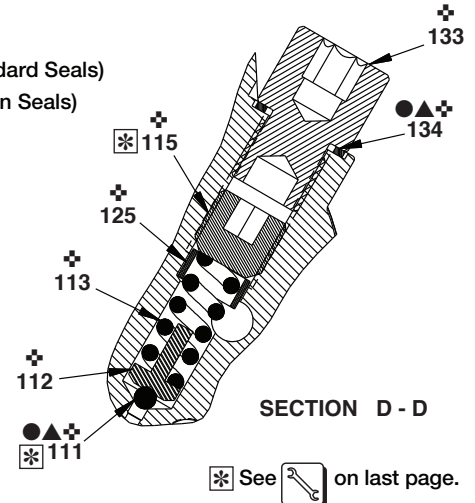
Item	Part Number	Qty.	Description	Item	Part Number	Qty.	Description
106	●▲ B1006016	2	Ball, 7/32" Dia	133	●▲ DD2538185	2	Plug
107	●▲ A8197110	2	Spring	134	●▲ B159167	2	Gasket
108	●▲ B1009016	2	Ball, 5/16" Dia.	135	●▲ S1183	2	Spring

**IMPORTANT:** Shaded items are available only in kits (not sold separately).

**Fig. 5, Relief Valve Assembly**



- Item included in:
- ULTIMA Repair Kit P80K8 (Standard Seals)
  - ▲ ULTIMA Repair Kit P80KV8 (Viton Seals)
  - ✦ ULTIMA Repair Kit P80SFK



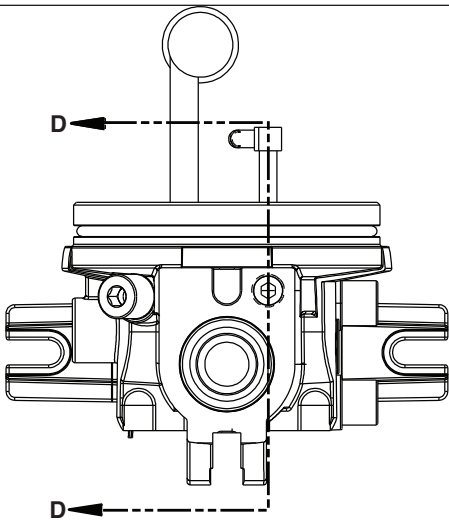
**Repair Parts List, Fig. 6**

**L3074**

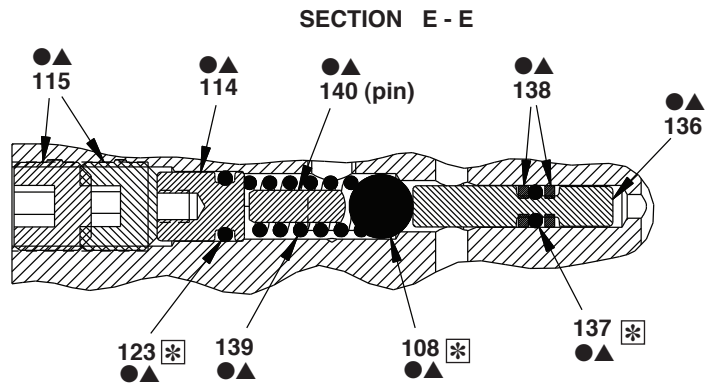
Item	Part Number	Qty.	Description	Item	Part Number	Qty.	Description
111	●▲✦ B1006016	1	Ball, 1/8" Dia	125	✦ DD3075186	1	Spacer
112	✦ A8038570	1	Ball Cap	133	✦ DD2538185	1	Plug
113	✦ A8126110	1	Spring	134	●▲✦ B159167	1	Gasket
115	✦ DC10131048	1	Set Screw, .437-20 x .38				

**IMPORTANT:** Shaded items are available only in kits (not sold separately).

**Fig. 6, Bypass Valve Assembly**



- Item included in:
- ULTIMA Repair Kit P80K8 (Standard Seals)
  - ▲ ULTIMA Repair Kit P80KV8 (Viton Seals)



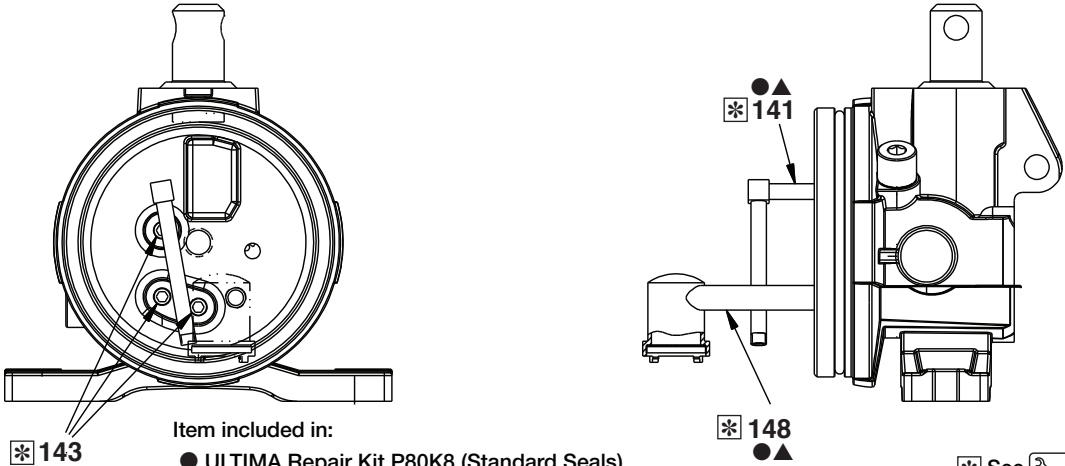
**Repair Parts List, Fig. 6**

**L3074**

Item	Part Number	Qty.	Description	Item	Part Number	Qty.	Description
108	●▲B1009016	1	Ball, 5/16" Dia.	137	●B1004803	1	O-Ring, Size -004 (Std.)
114	●▲DC7234009	1	Plug		▲B1004203	1	O-Ring, Size -004 (Viton)
115	●▲DC10131048	2	Set Screw, .437-20 x .38	138	●▲B1004564	2	Back Up Ring, Size -004
123	●B1009803	1	O-Ring, Size -009 (Std.)	139	●▲A8038110	1	Spring
	▲B1009203	1	O-Ring, Size -009 (Viton)	140	●▲CAA0415061-2A	1	Dowel Pin, M4 x12 mm
136	●▲DX4075061	1	Pin				

**IMPORTANT:** Shaded items are available only in kits (not sold separately).

**Fig. 7, Oil Piping and Filter**



Item included in:  
 ● ULTIMA Repair Kit P80K8 (Standard Seals)  
 ▲ ULTIMA Repair Kit P80KV8 (Viton Seals)

\* See  on last page.

**Repair Parts List, Fig. 7**

**L3074**

Item	Part Number	Qty.	Description	Item	Part Number	Qty.	Description
141	●▲DX4713092	1	Fitting, Pick-up Tube	143	●▲A1006245	3	Flush Plug, 1/16"
148	●▲DD2520038	1	Oil Filter				

**IMPORTANT:** Shaded items are available only in kits (not sold separately).

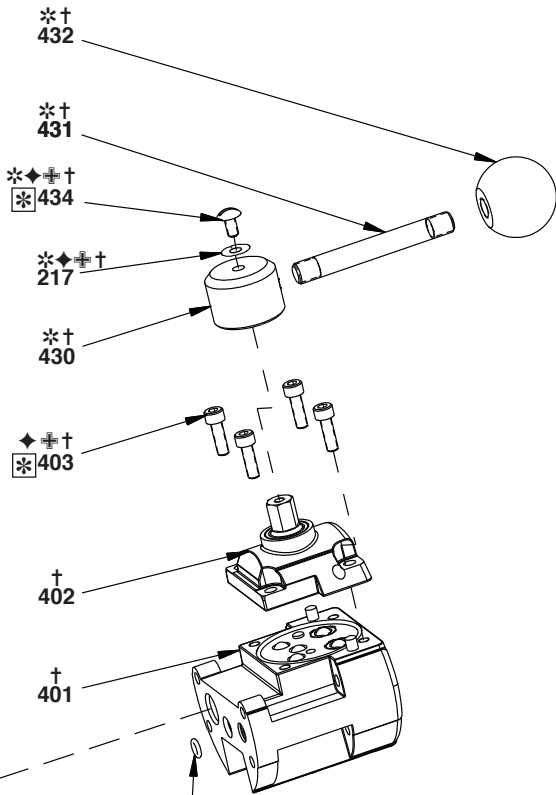
**Repair Parts List, Fig. 8**

**L3074**

Item	Part Number	Qty.	Description
123	††B1004503	1	O-Ring, Size -009 (Std.)
	◆B1009203	1	O-Ring, Size -009 (Viton)
217	◆*†† CCE1005108-5C	1	Lock Washer
401	†DX4141900	1	Manifold, Lower
402	†DX4140900	1	Manifold, Upper
403	◆*†† CBE519028-1A	4	SHCS, M5 x 16mm Zinc Plt.
404	◆*†† C162096	1	Connector
430	*†DX4724815	1	Hub
431	*†DD2544157	1	Handle
432	*†DC7288147	1	Knob
434	◆*†† B2510028X	1	BHCS, #10-32 X 0.75"
436	◆*†† B1012564	2	Back-Up, size -012
437	††B1012803	2	O-Ring, Size -012 (Std.)
	◆B1012203	2	O-Ring, Size -012 (Viton)

**IMPORTANT:** Shaded items are available only in kits (not sold separately).

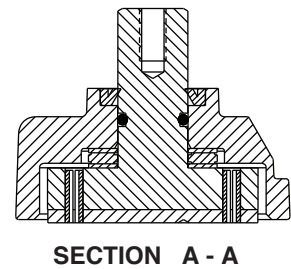
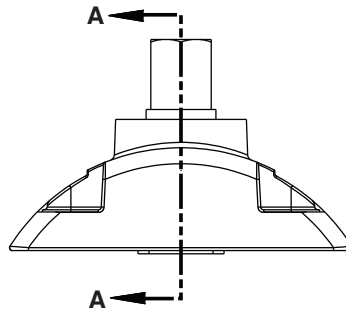
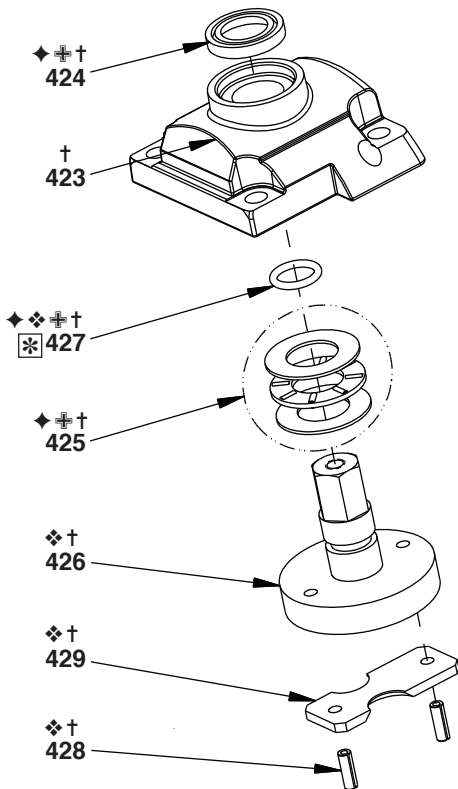
**Fig. 8, P-84 Valve Assembly**  
 DD2423900SR



Item included in:  
 \* ULTIMA P-84 Handle Kit P84HDK  
 † ULTIMA P-84 Valve Repair Kit P84VRK (Standard Seals)  
 ◆ ULTIMA P-84 Valve Repair Kit P84VRKV (Viton Seals)  
 † ULTIMA P-84 Valve Assembly DD2423900SR

\* See  on last page.

**Fig. 9, Subassembly, Upper Manifold**



Item included in:

- ✚ ULTIMA P-84 Valve Repair Kit P84VRK (Standard Seals)
- ◆ ULTIMA P-84 Valve Repair Kit P84VRKV (Viton Seals)
- ❖ ULTIMA P-84 Disc Assembly DD3067900SR
- † ULTIMA P-84 Valve Assembly DD2423900SR

✱ See  on last page.

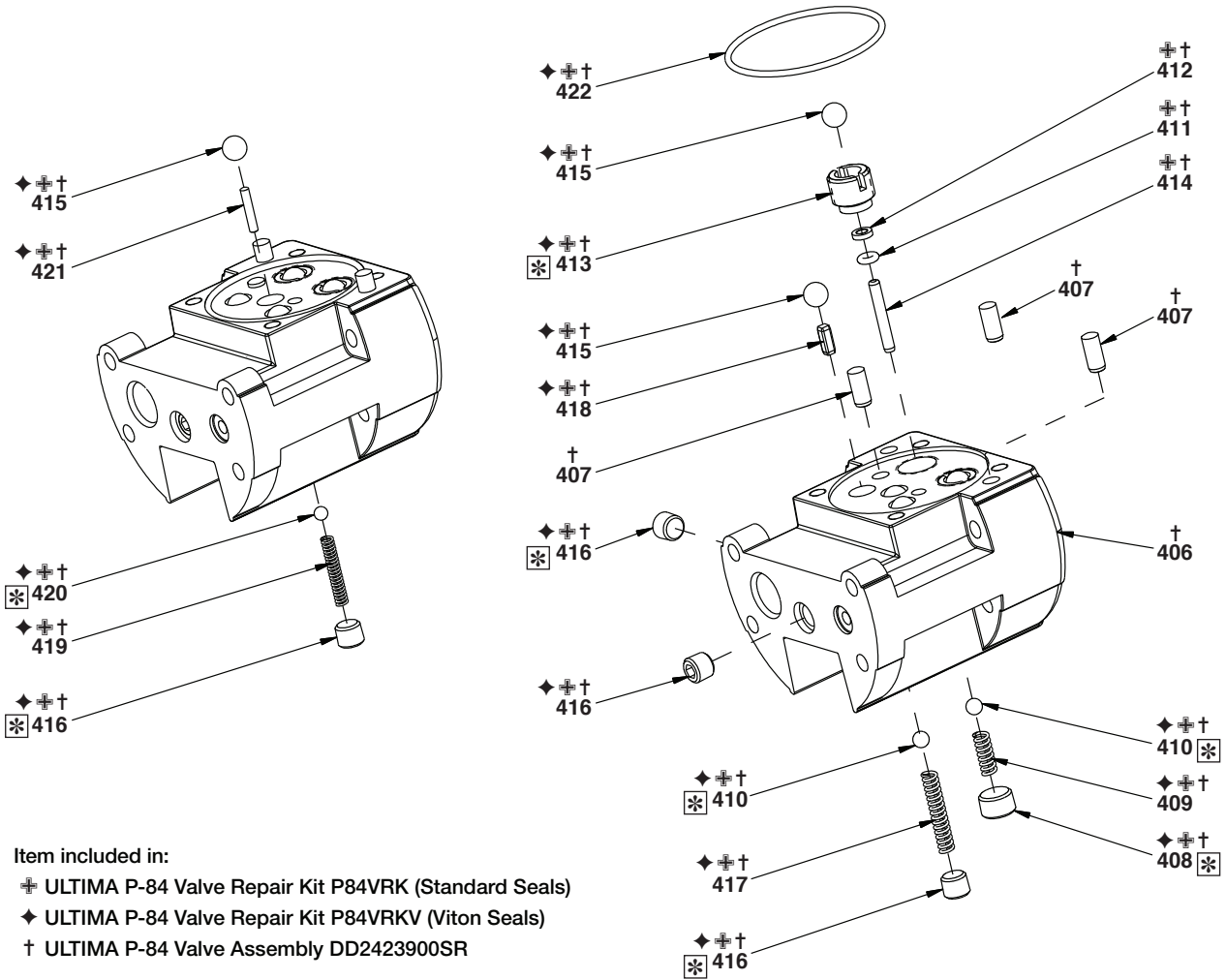
**Repair Parts List, Fig. 9**

**L3074**

Item	Part Number	Qty.	Description	Item	Part Number	Qty.	Description
423	†DD3086840	1	Upper Manifold, P84	427	✚✚† B1007503	1	O-Ring, Size -012 (Std.)
424	◆✚† A1028476	1	Lip Seal		◆✚† B1007503	1	O-Ring, Size -012 (Viton)
425	◆✚† C940155	1	Bearing	428	❖† B1049057	2	Spring Pin, 1/8" Dia x 3/8" Lg.
426	❖† C932071	1	Disc	429	❖† DD2417145	1	Disc Bar

**IMPORTANT:** Shaded items are available only in kits (not sold separately).

Fig. 10, Subassembly, Lower Manifold



- Item included in:
- ◆+† ULTIMA P-84 Valve Repair Kit P84VRK (Standard Seals)
  - ◆+† ULTIMA P-84 Valve Repair Kit P84VRKV (Viton Seals)
  - † ULTIMA P-84 Valve Assembly DD2423900SR

\* See  on last page.

Repair Parts List, Fig. 10

L3074

Item	Part Number	Qty.	Description	Item	Part Number	Qty.	Description
406	† DD3085840	1	Manifold, P-84	415	◆+† B1008016	5	Ball, 9/32" Dia.
407	† CAA0515061-1A	3	Dowel Pin, M5 x 12mm	416	◆+† A1006245	5	Plug
408	◆+† A1007245	2	Plug	417	◆+† C955110	2	Spring
409	◆+† C830110	2	Spring	418	◆+† DD2420061	2	Pin
410	◆+† B1005016	4	Ball, 3/16" Dia.	419	◆+† DA5769110	1	Spring
411	† B1006803	2	O-Ring, Size -006 (Std.)	420	◆+† B1004016	1	Ball, 5/32" Dia.
	◆ B1006203	2	O-Ring, Size -006 (Viton)	421	◆+† CAA267061-2A	1	Dowel Pin, M2.5 x 14mm
412	◆+† DA5776186	2	Ring, Backup	422	† B1237503	1	O-Ring, Size -031 (Std.)
413	◆+† C861439	2	Insert		† B1031203	1	O-Ring, Size -031 (Viton)
414	◆+† DD2419251	2	Push Pin				

IMPORTANT: Shaded items are available only in kits (not sold separately).



* Service Information		L3074
Fig.	Item	Torque / notes
1	304	Apply grease before assembly.
1	305	Apply grease before assembly.
1	318	Apply Loctite 243 to threads before assembly. Apply torque by turning one additional turn after hand tight.
2	206	28 - 35 Nm [21 - 26 Ft - Lbs.]
2	208	Hand tighten until fully installed.
3	129	Lubricate with grease before assembly.
3	131	Lubricate with grease before assembly.
3	146	Lubricate with grease before assembly.
4	106	Coin ball seat before installing new ball.
4	108	Coin ball seat before installing new ball.
4	133	40 - 45 Nm [29.5 - 33.2 Ft - Lbs.]
5	111	Coin ball seat before installing new ball.
5	<b>115</b>	Turn set screw to adjust relief valve pressure setting. DO NOT set pressure higher than 700 Bar [10,000 Psi].
6	108	Coin ball seat before installing new ball.
6	123	Lubricate with grease before assembly.
6	137	Lubricate with grease before assembly.
6	115	Turn set screw to adjust bypass valve pressure setting. Adjust so that pump shifts from first to second stage at between 28 and 41 Bar [400 - 600 Psi].
7	141	Insert short stem of tubing assembly into port.
7	143	14 - 16 Nm [10.3 - 11.8 Ft - Lbs.]
7	148	Assemble with screen open end down.
8	123	Lubricate with grease before assembly.
8	403	7,8 - 8,7 Nm [5.8 - 6.4 Ft - Lbs.]
8	434	2,4 - 3,0 Nm [1.8 - 2.2 Ft - Lbs.]
8	436	Lubricate with grease before assembly.
9	427	Lubricate with grease before assembly.
10	408	22 - 25 Nm [16.2 - 18.4 Ft - Lbs.]
10	410	Coin ball seat before installing new ball.
10	413	14 - 16 Nm [10.3 - 11.8 Ft - Lbs.]
10	416	14 - 16 Nm [10.3 - 11.8 Ft - Lbs.]
10	420	Coin ball seat before installing new ball.



To maintain your warranty:

- Use only Enerpac Oil
- Have your products inspected and repaired by an Enerpac Authorized Service Center

**ENERPAC** 

Visit [www.enerpac.com](http://www.enerpac.com) for the location of the Enerpac Authorized Service Center nearest you.